

## Mounting instructions:

### SWITCH OFF ELECTRICITY DURING MOUNTING!!!!!!

Mark-off the inbetween-distance of the hanging wires and prepare the holes for hanging points. (1.)  
Fix the hangingpoints to the ceiling with a plug and screw as said in the drawing! (2.)  
Fix the plaque to the ceiling where the main entrance of 220/230V is! (3.)

Push the steelwires through the hangingpoints and make sure they get blocked by the little cube as soon as you turn them tight to the parts on the ceiling. (4.)

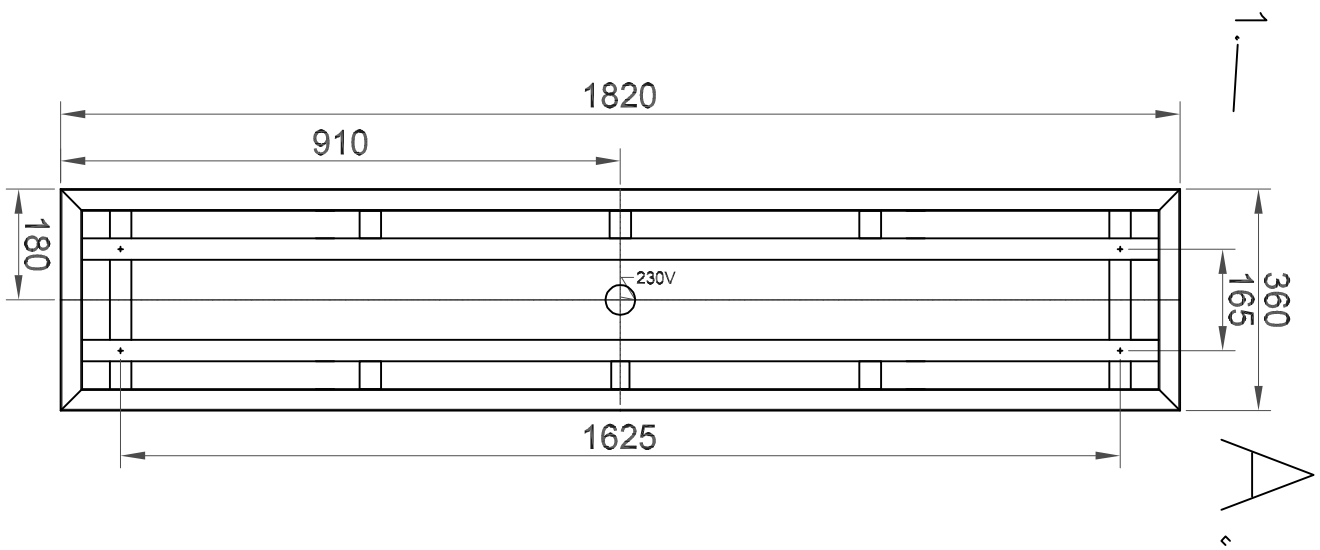
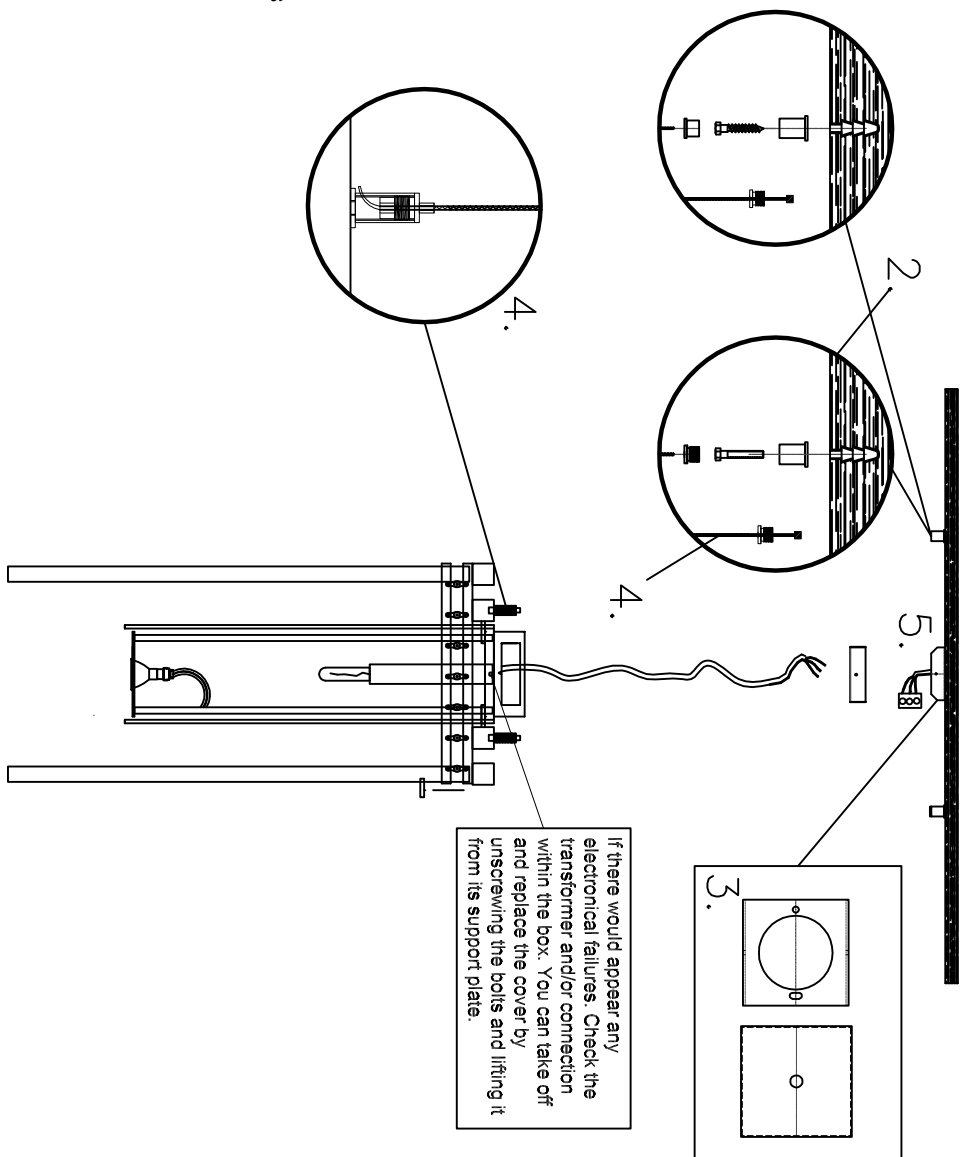
Now four wires are hanging on the ceiling.  
Check all the fixtures that they are turned tight and that the wires are blocked when pulling them!

SEE DRAWING B.  
FRAME!

When the frame is hanging.

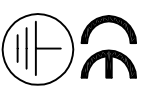
- Define the length of the main wiring.

- Connect the 220V /230V wiring. Beginning with the ground lead, then connect the main wiring to the electrical terminal.(5.)  
All the 12V electricity is hidden in the cap on top of the suspension.



When finished the connection make sure you close the applique (3.) by turning tight the inserts on the sides and turn tight the cable-grip.

SEE DRAWING C.

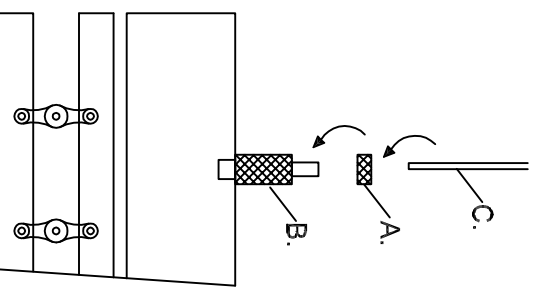


certification of european conformity

classified fittings whose safety is guaranteed by the earth connection

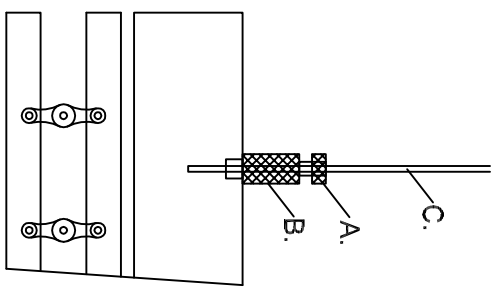
## a.

- ALWAYS KEEP SUPPORTING THE FRAME WHILE MOUNTING THE SUSPENSIONS.
- Define the total height of the suspension!!!!
- Carefully turn loosening (A) from cable-grip (B) to unlock the entrance.
- push the steelwires through the ring (A) and cable-grip (B).



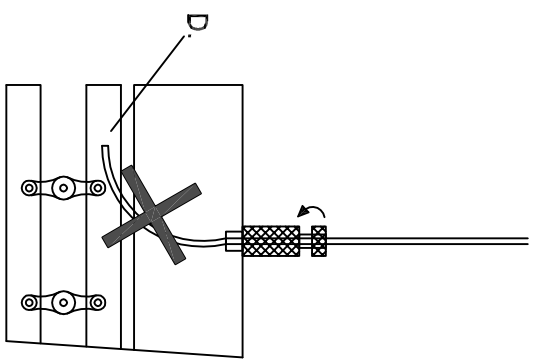
## b.

- Now turn tight ring (A) to block the suspension.
- MAKE SURE THE STEELWIRE (C) GOES THROUGH (B) FAR ENOUGH BEFORE TURNING TIGHT RING (A)



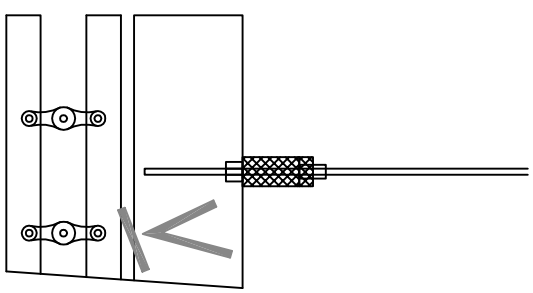
## c.

- ATTENTION**  
/IMPORTANT!!!!!!!
- MAKE SURE THE STEELWIRE IS DEFINITELY NOT MAKING ANY CONTACT TO ANY METAL STRIP (D) WHERE THE LIGHTBULBS ARE IN.
  - AS THERE IS 12V TENSION ON IT, THIS WILL MAKE SHORT CIRCUIT!



## d.

- Please shorten the steel-wires securely. But always make sure there will be enough overlength to define the height of the frame as it is hanging on all 4 points.
- Now please return to mounting instructions for further instructions!

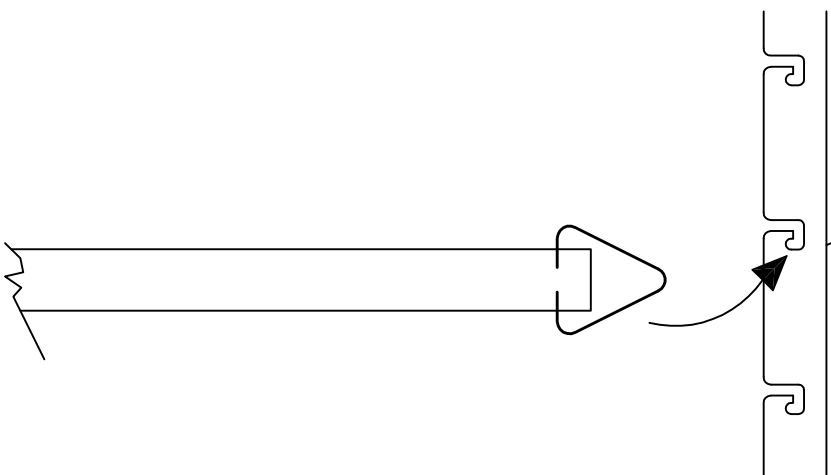


certification of european conformity



classified fittings whose safety is guaranteed by the earth connection

6. Move the tubes towards the frame and hang them in every hook.

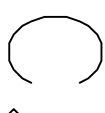


ALISTAIR182x36  
PRODUCTINFORMATION :

Lightsources:

With each ALISTAIR you will receive:

- 6 x GU 5,3/20W halogen 12V.
- 74 x E10/1,2W lightbulb 12V.
- 3 x G6,35 /35W halogen 12V.



Always switch off the light before cleaning!!!  
Clean the suspension with a featherduster or a  
specified cleanser on soft cloth.



certification of european conformity



classified fittings whose safety is guaranteed by the earth connection