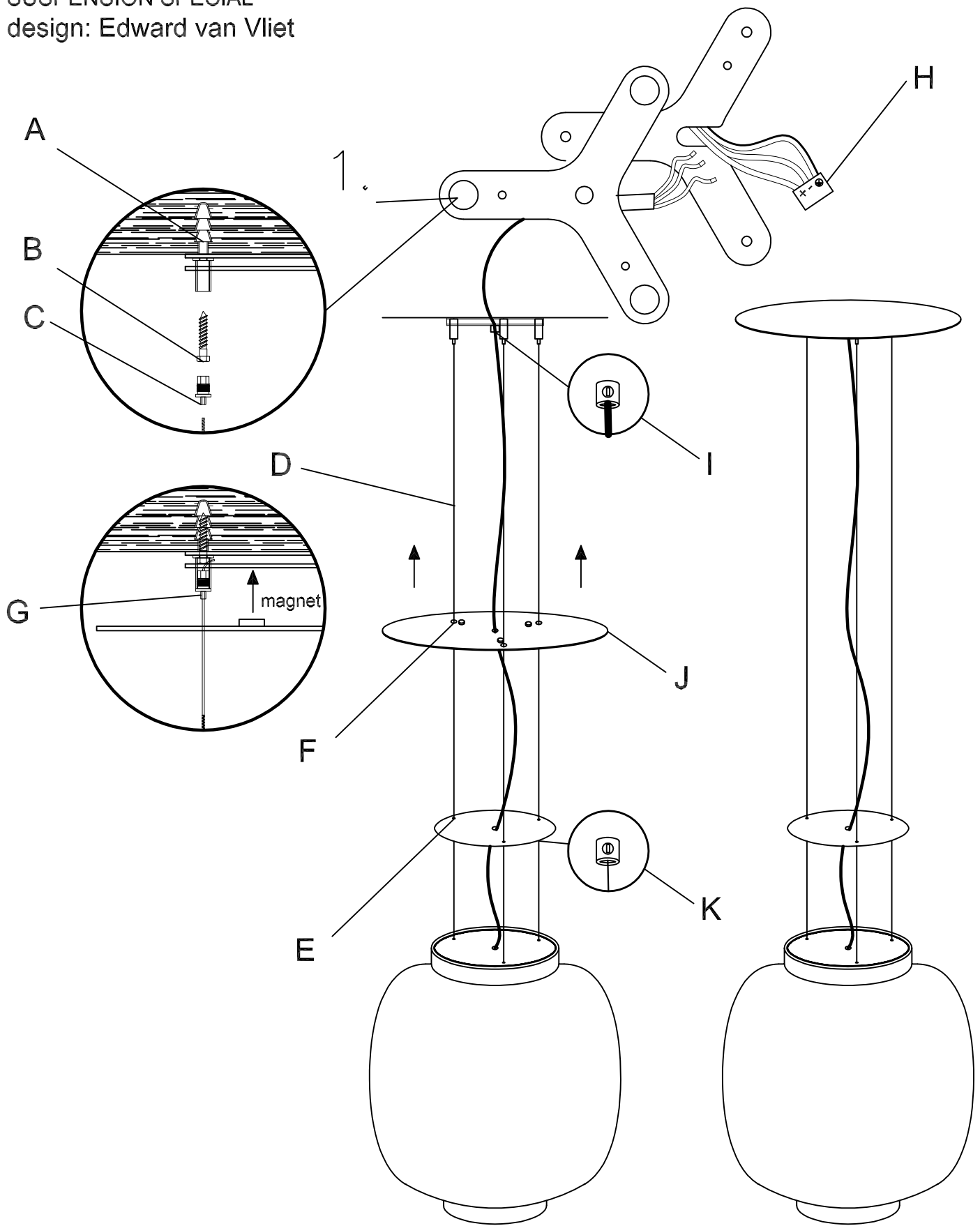


QUASAR

MUJAY

SUSPENSION SPECIAL

design: Edward van Vliet



MUJAY SUSPENSION SPECIAL MOUNTING INSTRUCTIONS

design: Edward van Vliet

Mounting instructions:

- We recommend to have an assistant during mounting.
- Switch off electricity before mounting!!
- Carefully unpack glass-shade and suspension frame.
- Define the position of your lamp.
- Take the drawing template of applique (1.) and mark off the boring-points on the ceiling.
- Bore three holes in the ceiling and push in the plug-fix. (A)
- Take the applique (1) and push the screw through the steelwire-suspension which is already mounted in the applique.
- Mount the applique by turning tight all three screws (B)
- Turn tight the steel-wire grip (C)
- Push all three steel-wires (D) through holes (E) and (F) and carefully lower the plates towards the lamp.
- Carefully lift the lamp towards the ceiling and push the steelwires (D) into the steelwire-grips (G)
- **ATTENTION!!!! BY PUSHING THE PIN OF THE STEELWIRE-GRIP (G) THE LAMP IMMEDIATELY WILL FALL DOWN MAKE SURE YOU WILL ALWAYS SUPPORT THE LAMP DURING MOUNTING!!!!**
- Define the height of the lamp by pushing up- and down the steel-wires(D) through the grips. (G)
- As the height is defined the 220V/230V wiring can be connected.
- Make sure the wiring goes through cable-grip (I) before it gets connected to the electrical terminal (H)
- Now cover the applique by lifting the decorative plate (J) towards the ceiling and make sure the magnets will click to the applique (1)
- Now define the height of the lowest decorative plate (E) and block it by turning tight the steelwire-grips (K)
- Turn lightbulb in the socket and the lamp is ready to be switched on.


Product information:


Glass: Blowing Muranoglass is craftwork that makes every glass authentic in its kind.

Metal parts: Only clean the metal parts with an acknowledged cleanser on a soft moistured cloth. Plates are made of stainless steel, decorative parts on the glass are made of aluminium.

Light:

With this lamp you will receive an E27 / 75W halogen lightbulb. Make sure you will not cross the maximum 75W.

 certification of european conformity

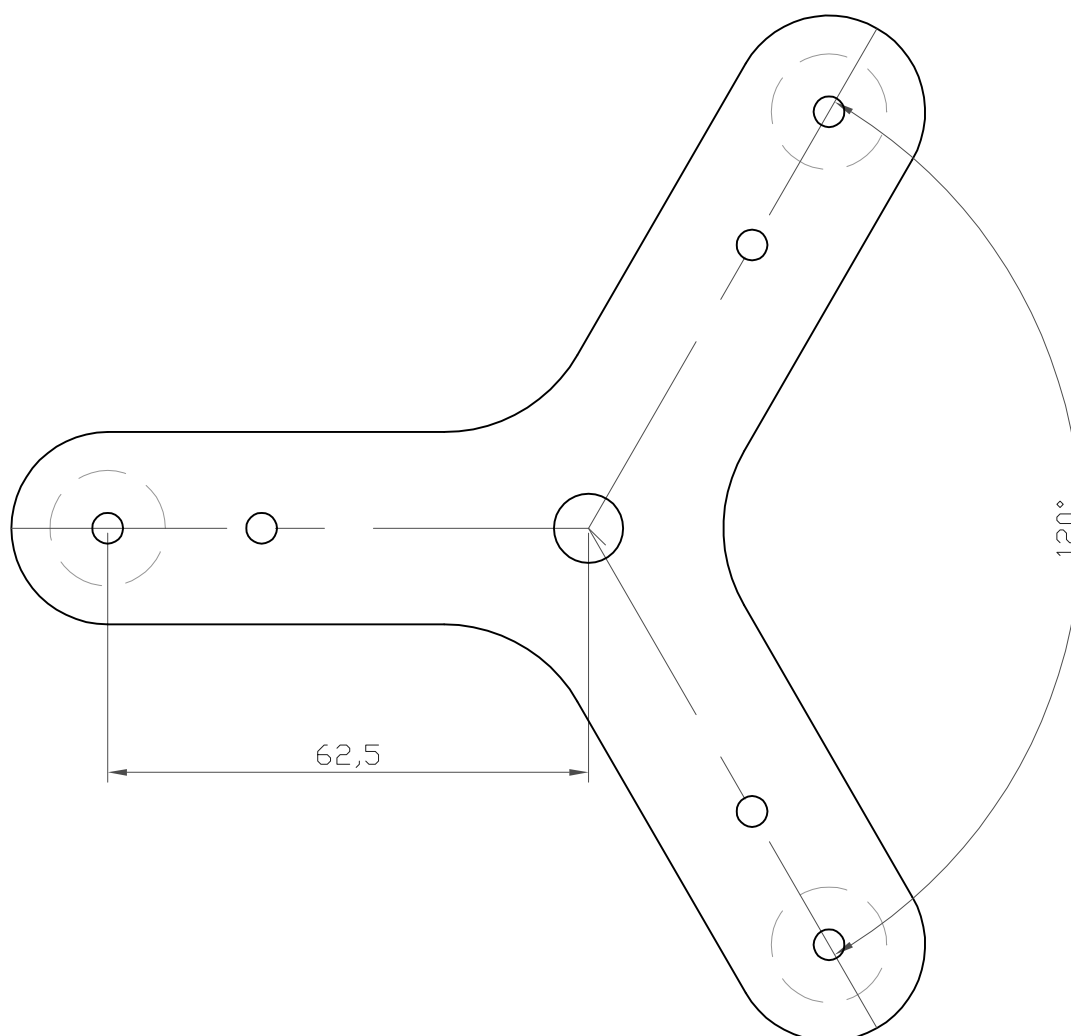
 classified fittings whose safety is guaranteed by the earth connection

MUJAY SUSPENSION SPECIAL

DRAWING TEMPLATE SUSPENSION

SCALE 1:1

design: Edward van Vliet



1. USE THIS TRIANGLE-TEMPLATE TO MARK OFF THE INBETWEEN DISTANCE FOR THE BORING-POINTS IN THE CEILING.